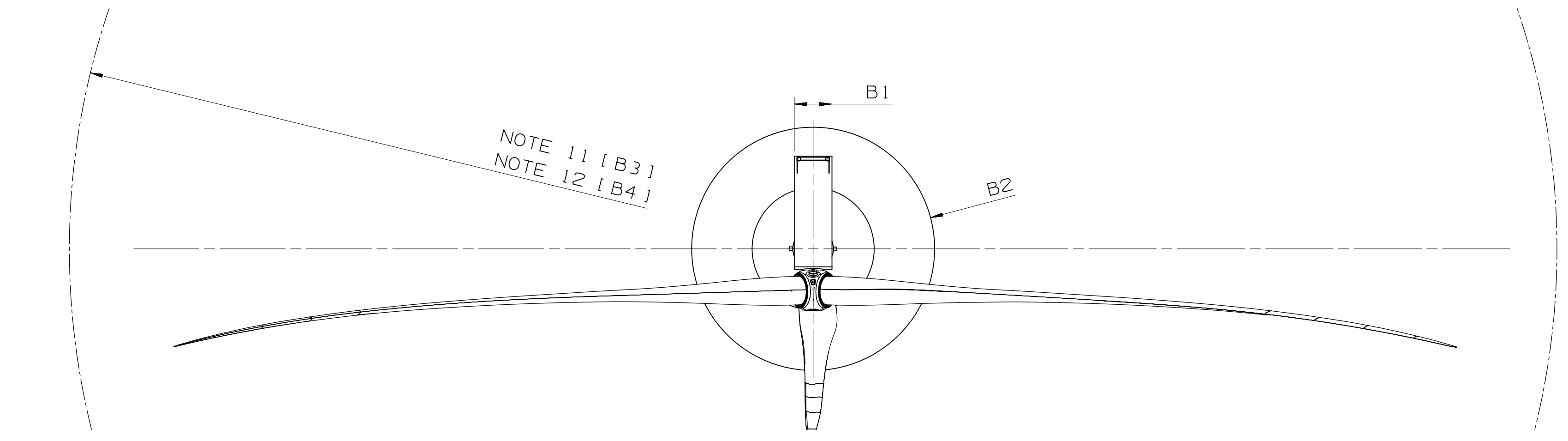
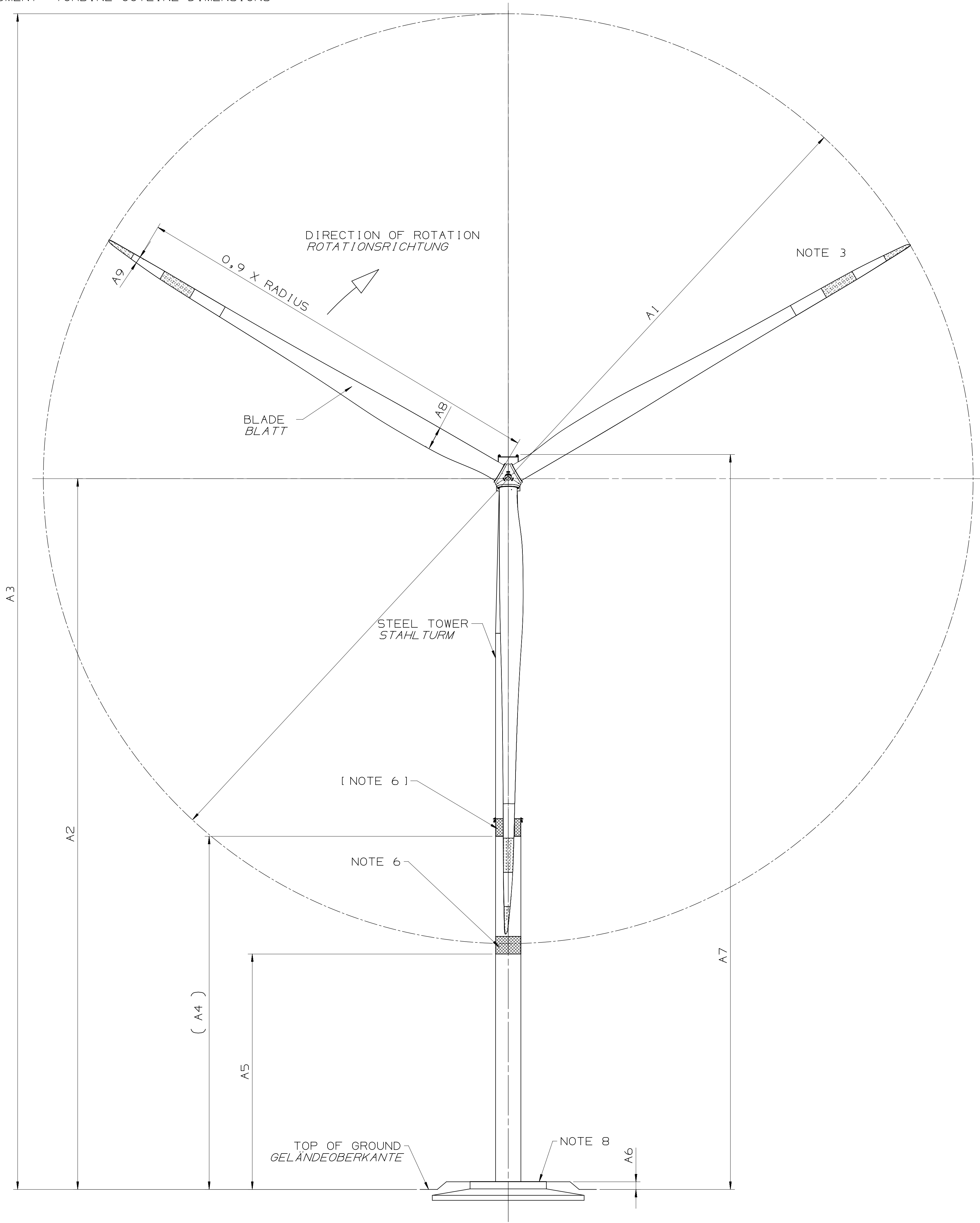


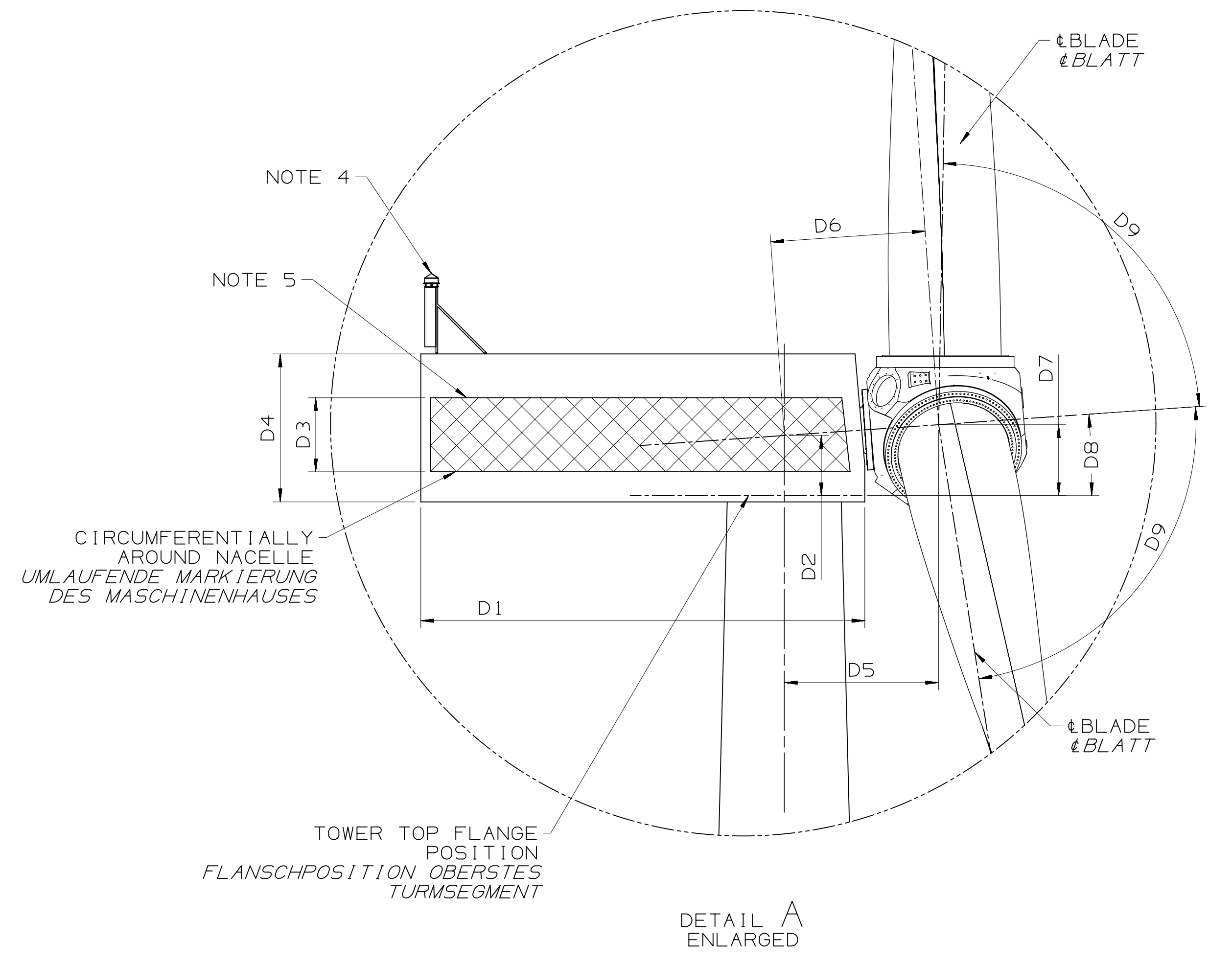
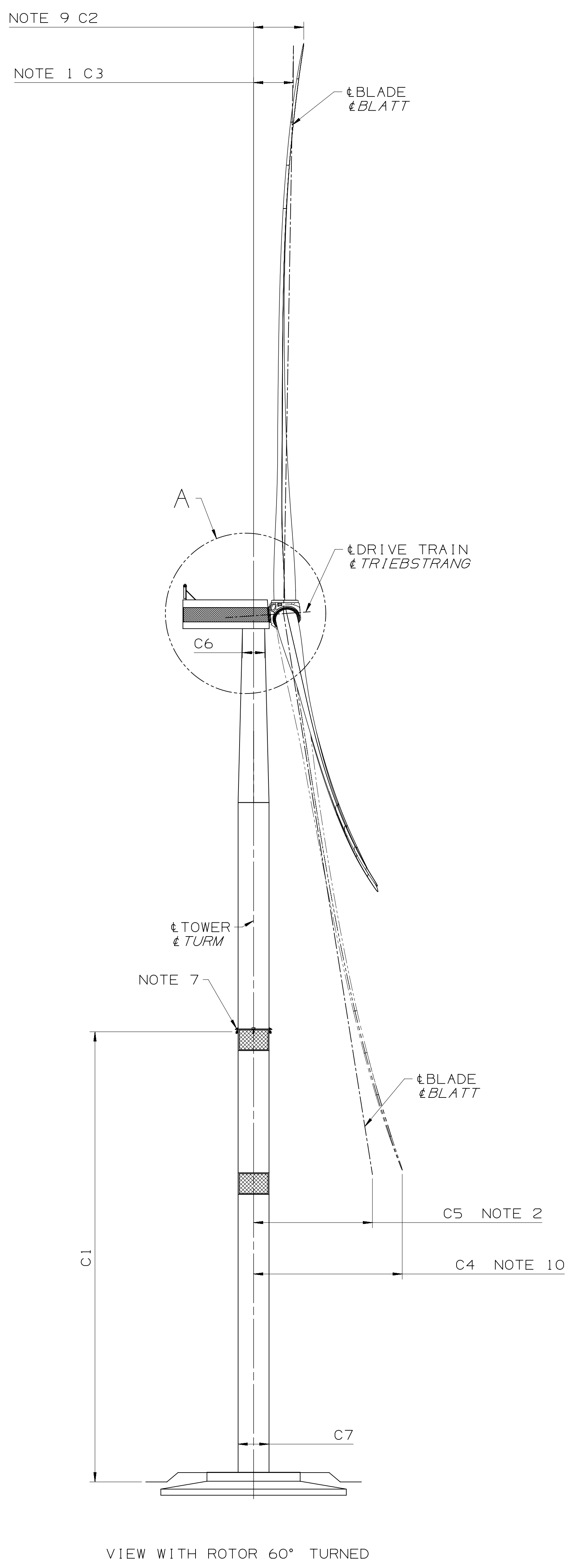
NOTES:
SEE DOCUMENT "TURBINE OUTLINE DIMENSIONS"



THIS DRAWING IS PREPARED IN ACCORDANCE WITH ISO 1101-2017

REVISION HISTORY				
REV	ZONE	DESCRIPTION	DATE (YYYY-MM-DD)	APPROVED
-	-	SEE PLM FOR DETAILS		

REVISE ON CAD ONLY
NX PART: 450W1333



© COPYRIGHT 2019 General Electric Company (USA).
All rights reserved. The information herein is Proprietary and Technically Exclusive content that is solely owned by General Electric Company and/or its affiliates. Thus, it is being provided with the explicit expectation of restricted and privileged use. All persons, or legal entities receiving this information shall be deemed by the act of its receipt to have contractually agreed to make no duplications, reproductions of any nature by any means, modifications, disclosures, or use any portion of this material except as is expressly authorized in writing by General Electric Company and/or its legitimate affiliates.

UNLESS OTHERWISE SPECIFIED DIMENSIONS ARE IN MILLIMETERS		DWG TYPE OUTLINE		GE RENEWABLE ENERGY	
TOLERANCE CLASS: ISO 2768-m ISO 8015 H		DRAWN 105015424 DRAWN DATE (YYYY-MM-DD) 2019-12-03		 GENERIC OUTLINE DRAWING CYPRESS	
FIRST ANGLE PROJECTION		CHECK DATE (YYYY-MM-DD)			
ENGR DATE (YYYY-MM-DD)		ENGR DATE (YYYY-MM-DD)			
ADDITIONAL APPROVALS SEE PLM FOR APPROVAL INFORMATION		FOR GE USE ONLY			
MATERIAL: NA		MLI/PBM CODE/UNIT TYPE		SIZE A0	CAGE CODE NONE
DWG SOURCE NK12		SIMILAR TO		DWG NO 450W1333	SCALE NONE
DOL CODE US-SC, GREENVILLE				ACTUAL WT NA	SHEET 1 OF 1

-CONFIDENTIAL-

450W1333