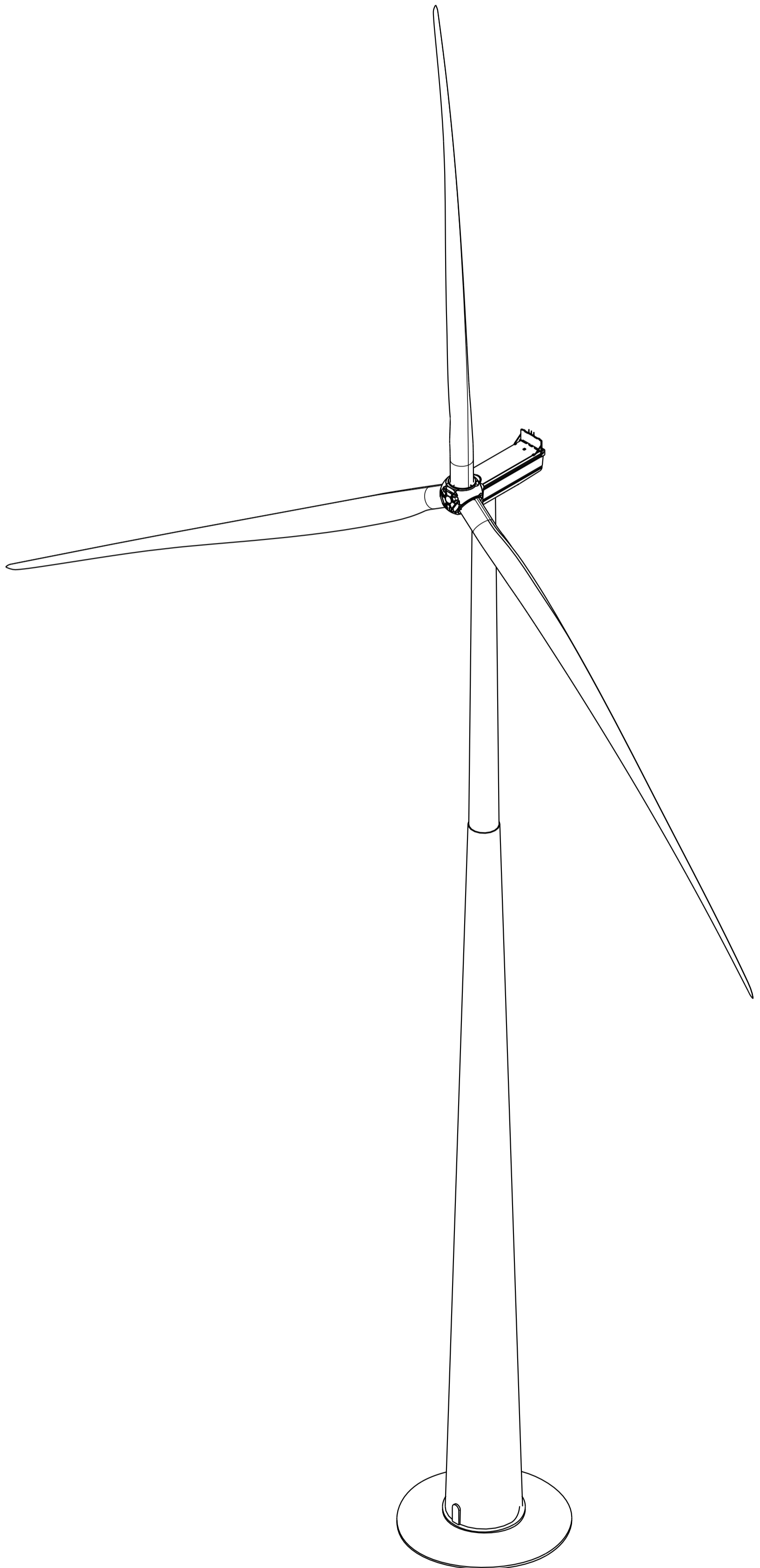
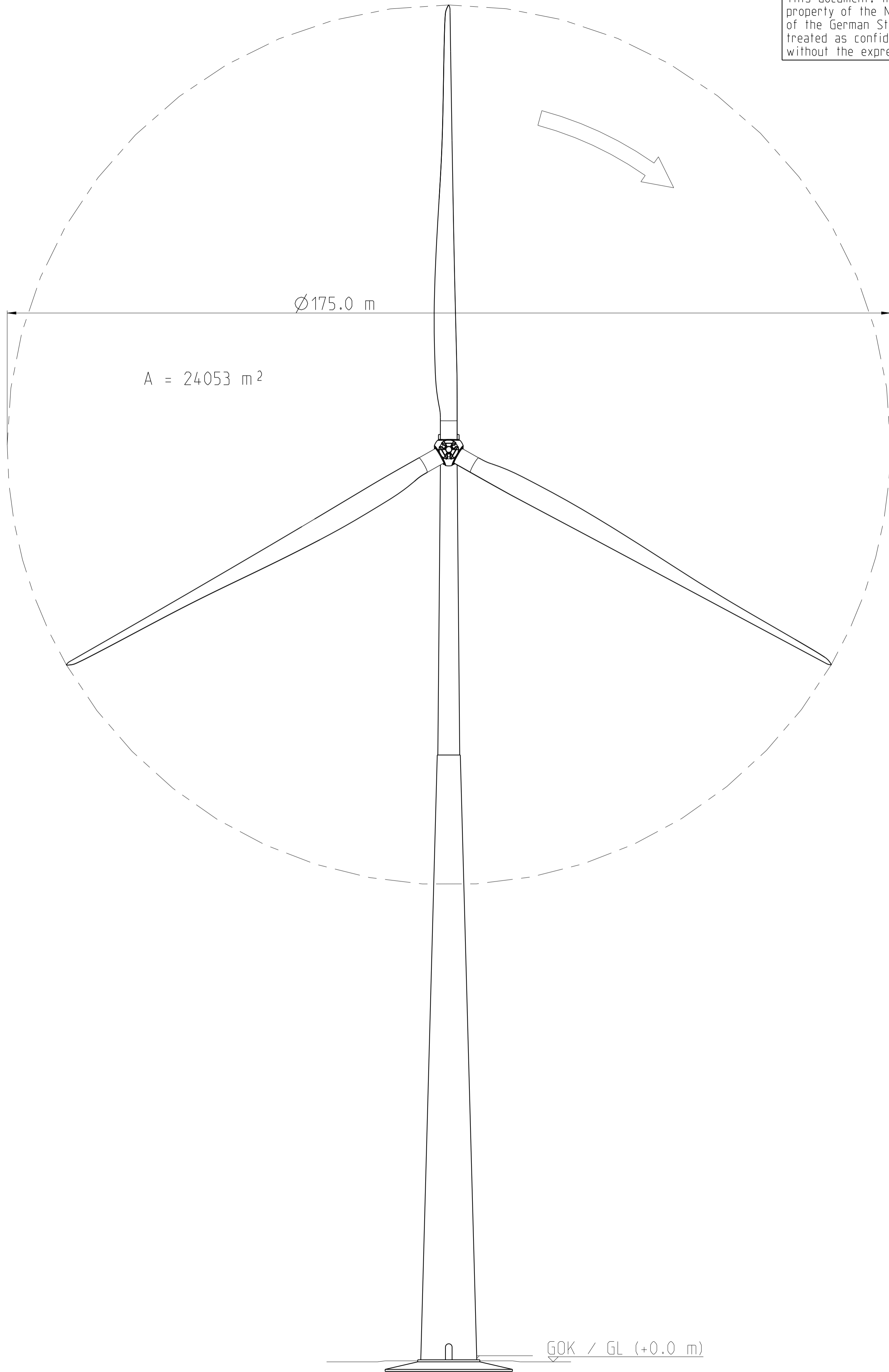
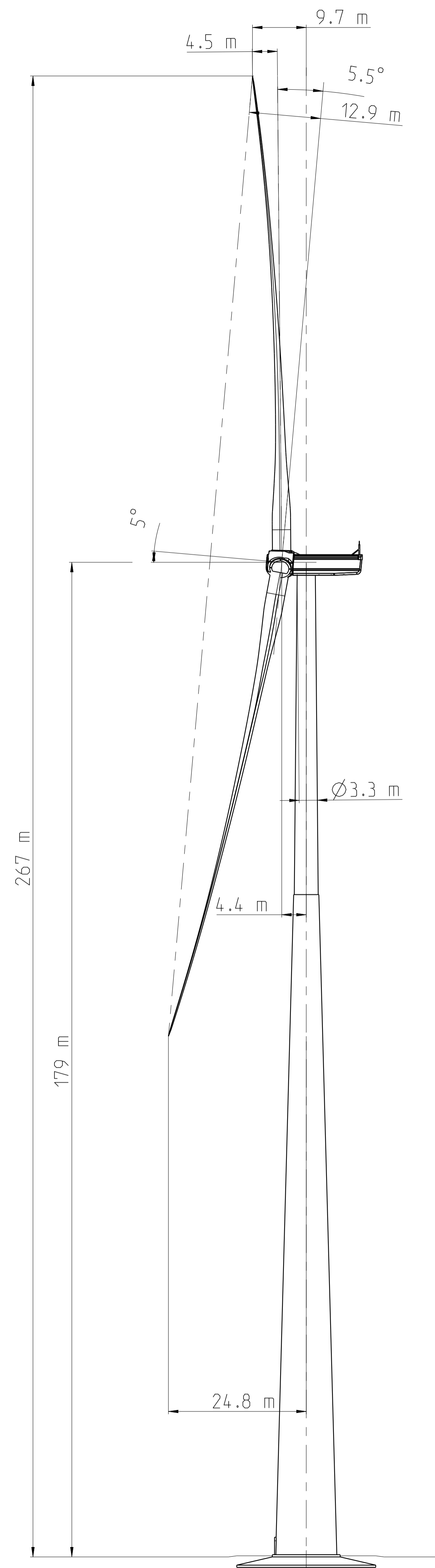


Disclaimer

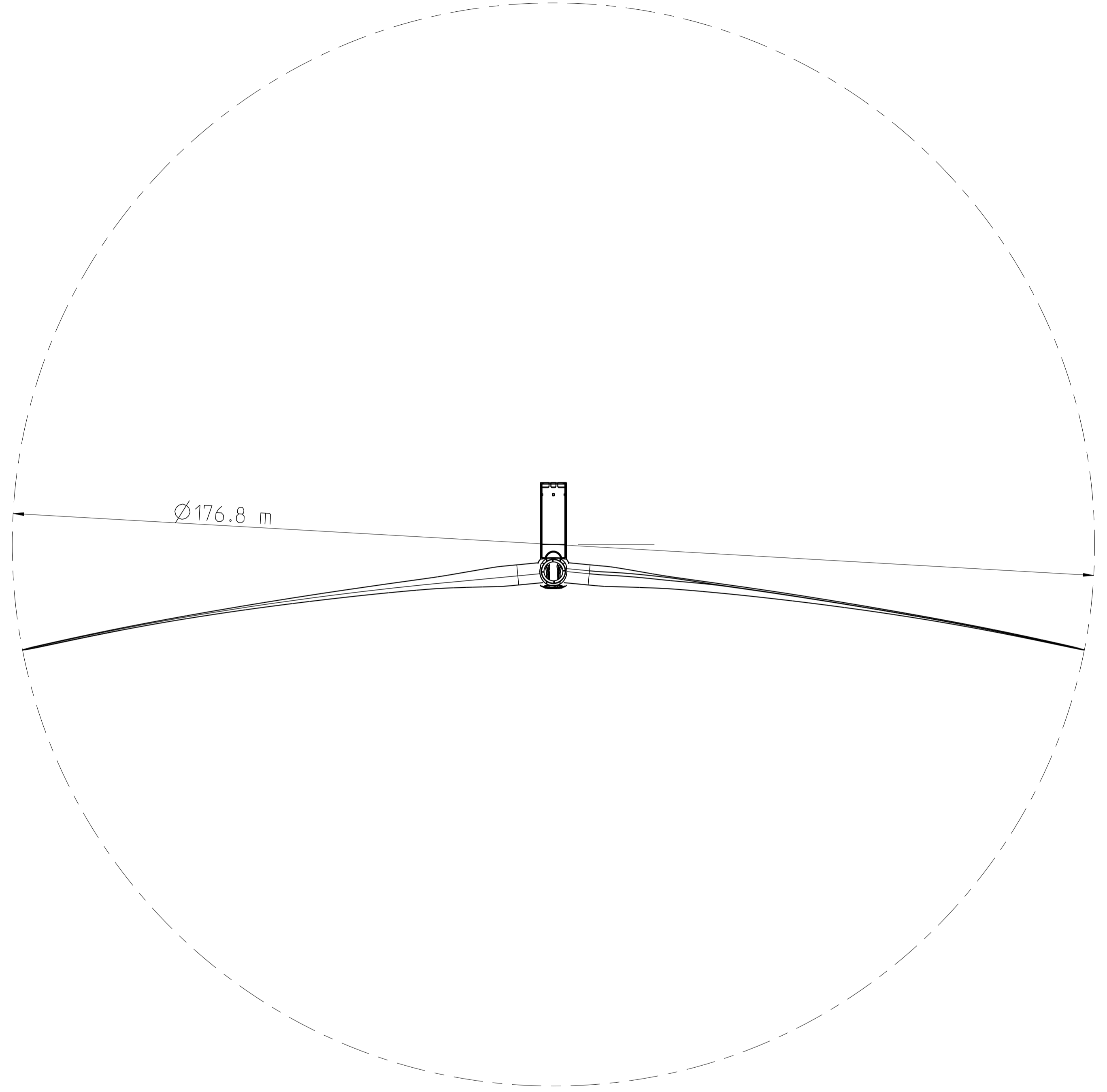
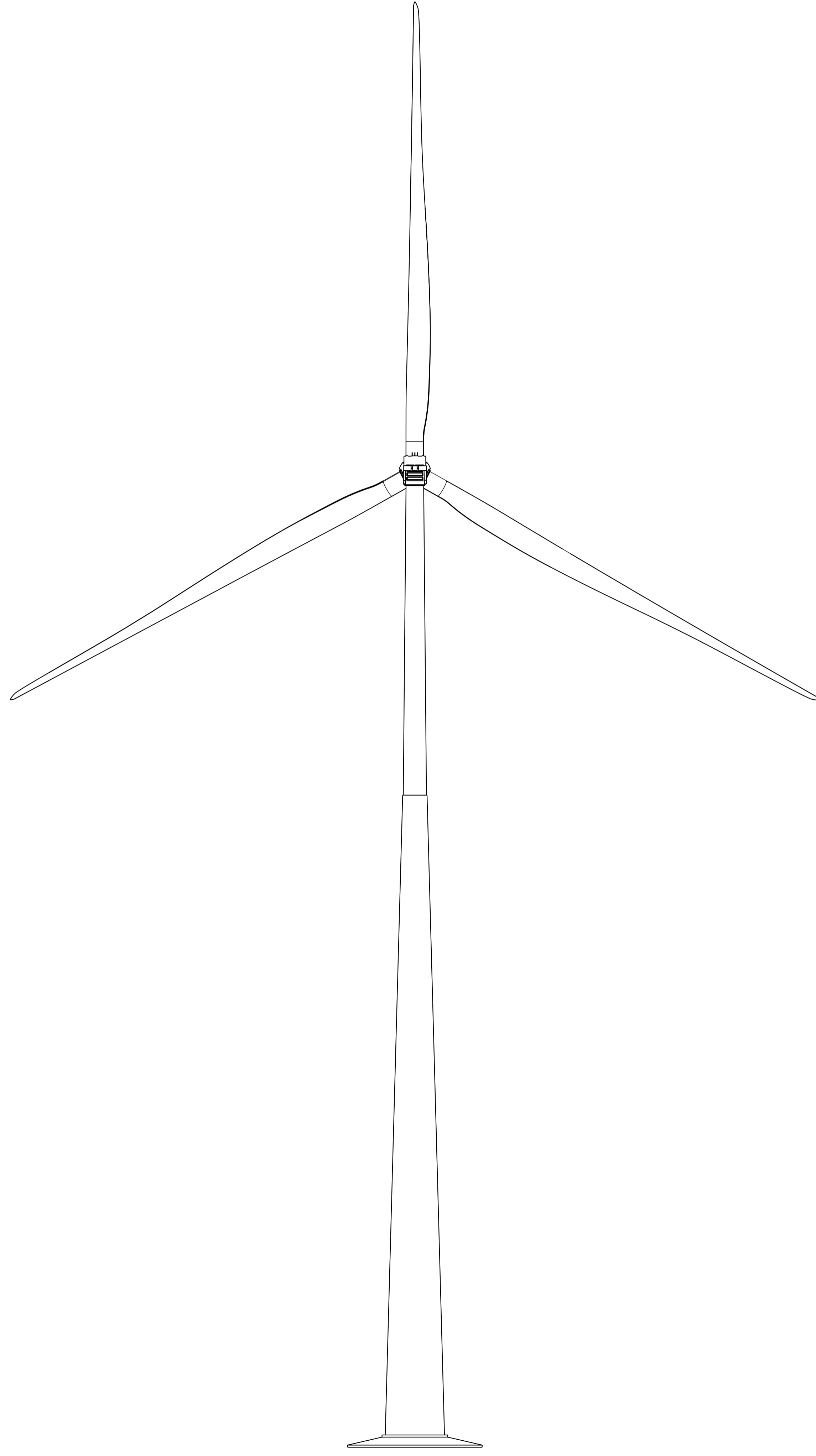
This document was produced by Nordex Energy GmbH and/or affiliated companies within the meaning of sections 15 et seq. of the AktG. This document, including any presentation of its contents in whole or parts, is the intellectual property of the Nordex Energy GmbH and/or affiliated companies within the meaning of sections 15 et seq. of the German Stock Corporation Act (AktG). The information contained in this document must be treated as confidential and must not, neither in whole nor in parts, be disclosed to third parties without the express consent of Nordex Energy GmbH.



Allgemeintoleranzen/general tolerances	Dokumententyp/type of document	Maßstab/scale		Gewicht/weight
Schweißtoleranzen/welding tolerances	erschaffen/created	2022-09-23	Werkstoff/material	ERP-Nr./no.
Gußtoleranzen/casting tolerances	geg. Bl./checked	2022-12-02	Benennung/Title	
Werkstückkanten/edges of workpiece	freigegeben/released	2022-12-07	Nordex WEA	
		Schiebler Frank	Nordex WT	
			N175 6.X TCS179-00	
			N175 6.X TCS179-00	
Nordex Energy GmbH Langenhorner Chaussee 600 22419 Hamburg Germany			Zeichnungsnummer/drawing number	Revision
			00175-E0005736197	0
			Zeichnungsstatus/drawing status	Blatt/Sheet
			Released	A1 1/2

This document is the intellectual property of Nordex Energy GmbH and/or its affiliated companies. It is not to be distributed, copied, or otherwise used without the express written permission from Nordex Energy GmbH.

Disclaimer
 This document was produced by Nordex Energy GmbH and/or affiliated companies within the meaning of sections 15 et seq. of the AktG.
 This document, including any presentation of its contents in whole or parts, is the intellectual property of the Nordex Energy GmbH and/or affiliated companies within the meaning of sections 15 et seq. of the German Stock Corporation Act (AktG). The information contained in this document must be treated as confidential and must not, neither in whole nor in parts, be disclosed to third parties without the express consent of Nordex Energy GmbH.



Nachdruck, Vervielfältigung und Verbreitung, auch auszugsweise, ist ohne schriftliche Genehmigung der Nordex Energy GmbH.
 All rights reserved. No part of this document may be reproduced, stored in a retrieval system or transmitted in any form or by any means electronic, mechanical, photocopying, recording, or by any information storage and retrieval system, without the express written permission from Nordex Energy GmbH.

Allgemeintoleranzen/general tolerances	Dokumententyp/type of document	Maßstab/scale		Gewicht/weight
-	TL01 - Übersichtszeichnung	1:500		
Schweißnähten/welding tolerances	erstellt/created	2022-09-23	Werkstoff/material	ERP-Nr./no.
-	D. Asmuthen			
Gußlöcher/casting tolerances	gepr. für/checked	2022-12-02	Benennung/title Nordex WEA N175 6.X TCS179-00 Nordex WT N175 6.X TCS179-00	
-	Richter Kay			
Werkstückkanten/edges of workpiece	freigegeben/released	2022-12-07		
-	Schiebler Frank			
Nordex Energy GmbH Langenhorner Chaussee 600 22419 Hamburg Germany				Zeichnungsnummer/drawing number 001175-E0005736197 Zeichnungsstatus/drawing status Released
		Revision	Blatt/Sheet	
		0	2/2	